

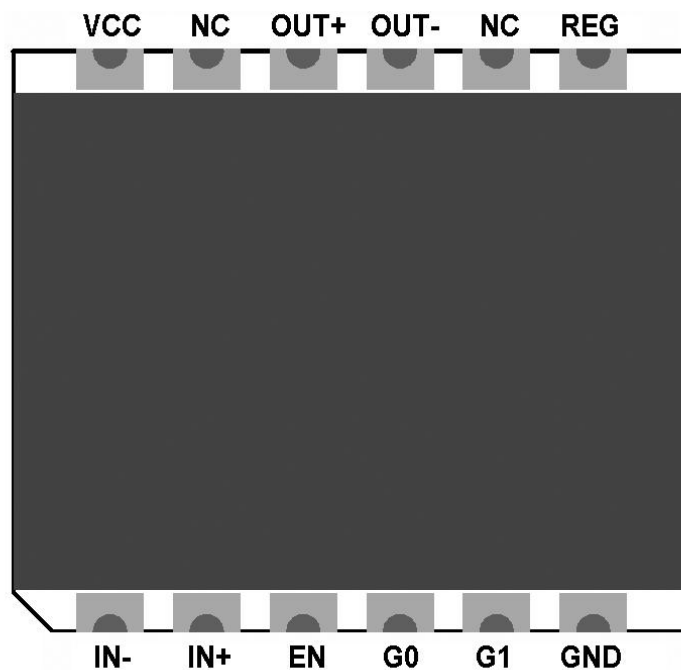
## General description

VMA2013/2015 are compact, low profile and high efficiency (up to 88%) stereo audio amplifier modules. Output power is up to 6W/15W per channel on 8Ohm load (THD = 10%). There's no significant heat generated even at the maximum output power.

## 1. Applications

- Portable audio
- Car audio
- Entertainment
- Desktop audio
- PC Audio
- Other high efficiency sound systems

## 2. Pinout



### Pin Description

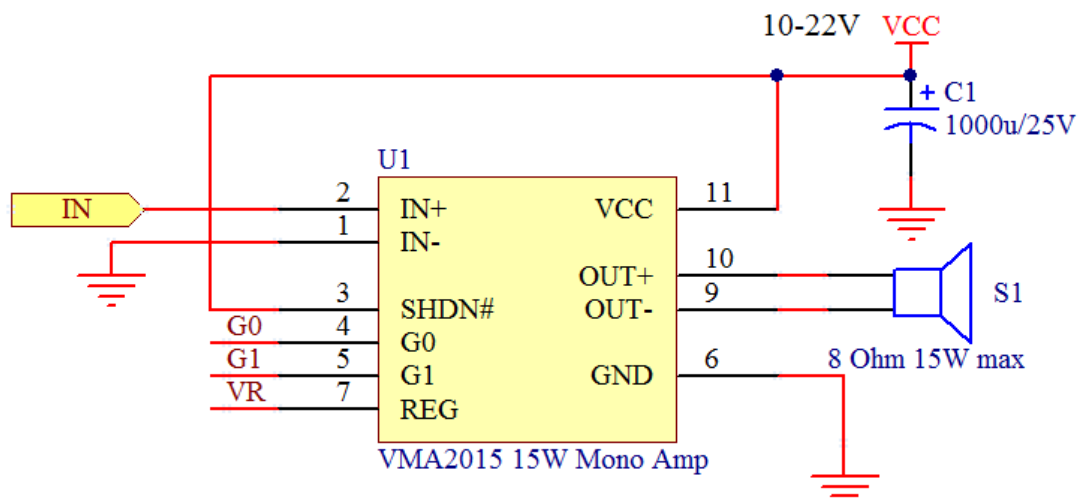
Pin No.	Name	Function Description
1	INL-	Negative input of left channel
2	INL+	Positive input of left channel
3	EN	Enable, tie to VCC to enable the module
4	G0	Gain set bit 0

5	G1	Gain set bit 1
6	GND	Power supply ground
7	REG	Logic high supply for G0 and G1
9	OUT-	Negative output
10	OUT+	Positive output
12	VCC	Power supply
7,11	NC	No Connection

### 3. Electrical Characteristics

Parameters	Value
Supply Voltage	10V-22V
Channels	2
Max power (THD+N = 10%)	4W/10W for 4Ω load 6W/15W for 8Ω load 8W/20W for 16Ω load
Efficiency	88% max
Gain set	G1:G0=00 30dB G1:G0=01 13.2dB G1:G0=10 19.5dB G1:G0=11 16dB
THD+N	0.07%(4Wx2, 8Ω load)
SNR	>90dB
Vreg	6V
Input Impedance Rin	>10kΩ
Quiescent Current	24ma
Shutdown current	1uA

### 4. Reference Design



## 5. Footprint and dimensions

